



### DESCRIPTION

The High Pressure Reducer valve is designed for high pressure (above 35 barg / 507psig) boiler sampling lines, inlet pressure up to 350 barg (5076 psig) and outlet pressure totally adjustable.

This type of pressure reducers are recommended by ASME-PTC 19.11

### APPLICATIONS

- Steam & Water Analysis Systems.
- Boiler water Blowdown systems.
- Grab sampling systems.

### FEATURES

- Rod-In-Tube Design.
- Designed for High Pressure up to 350 (5076 psig) barg.
- Design Temperature: 150°C (302 °F).
- Outlet pressure 1 to 20 barg. (14,5 to 290 psig) Adj.
- Higher Flow rate.

### SPECIFICATIONS

Type:	Rod-In-Tube
Body material:	Stainless Steel 316
Tapered Rod Material & wetted parts:	Stainless Steel 316
Inlet pressure:	350 barg (5076 psig)
Outlet Pressure:	1 to 20 barg (14,5 to 290 psig)
Operating Temperature:	150°C (302 °F)
Sample flow rate:	150 to 4000 c.c./min.
Setting:	Externally Adjustable by rotating Handle
End connections:	1/8" NPT f
Weight:	1,7 Kgs (3,7lb)

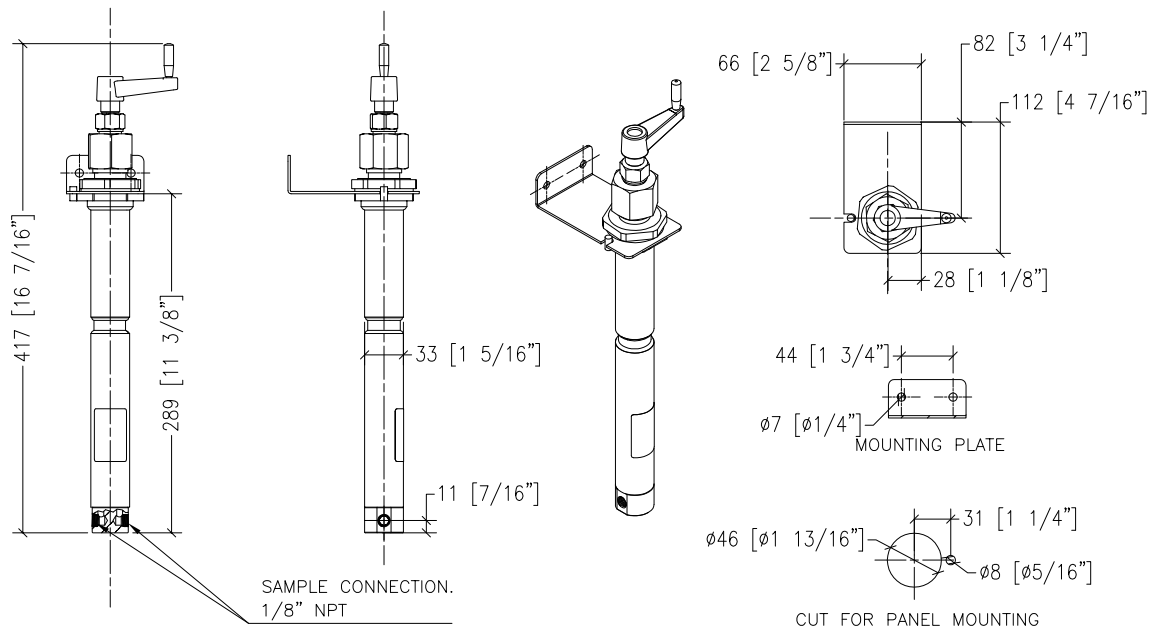
## ORDERING INFORMATION

Model:	Name:
HPRV	High Pressure reducer valve

## SPARE PARTS

Part #	Name
PK-HPRV	HPRV Packing

## DIMENSIONS



Units: mm [Inches in brackets]

Due to continuous improvements, Manvia reserves the right to change the design and specifications without notice

**Viet Nam Market Leader in**

**ENVIRONMENTAL MONITORING  
& INDUSTRIAL MEASUREMENT SOLUTIONS**



**Headquarters**

4E Street 6, An Phu Ward, Thu Duc City,  
Ho Chi Minh City  
**Hotline: (+84) 901 379 116**



**Ha Tinh Office**

Lien Phu Hamlet, Ky Lien Ward,  
Ky Anh Town, Ha Tinh Province  
**Hotline: (+84) 938 442 414**

**Northern Viet An**

Lot 33, BT4-1 residential area, Trung Van ward,  
Nam Tu Liem district, Hanoi  
**Hotline: (+84) 901 851 116**



**Eurowater Technology**

9A Street 6, An Phu Ward,  
Thu Duc City, Ho Chi Minh City  
**Hotline: (+84) 909 788 959**

**Viet An Central**

5A Mai Xuan Thuong Street, Hoa Khe Ward,  
Thanh Khe District, Da Nang City  
**Hotline: (+84) 898 119 116**



**iLotusLand Viet Nam**

9A Street 6, An Phu Ward,  
Thu Duc City, Ho Chi Minh City  
**Hotline: (+84) 90 940 3778**

