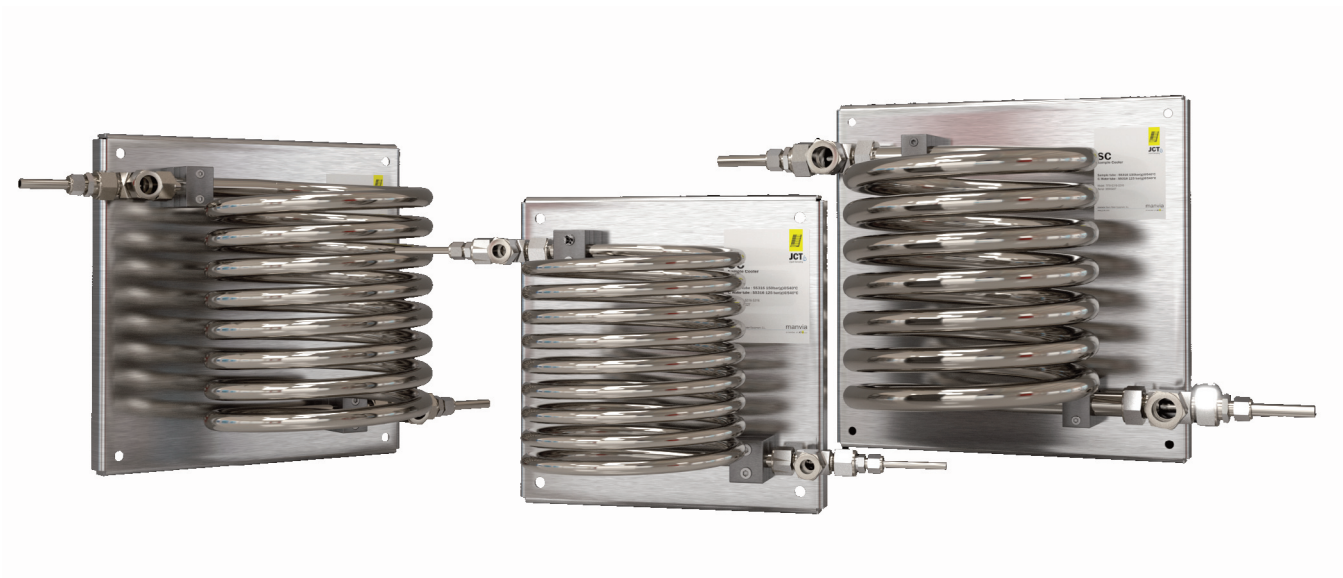




TIT

Tube in Tube Sample Cooler



APPLICATION

- Liquids, gases and multiphas fluids
- Gases with condensates
- High pressure and temperature
- Sampling systems

BENEFITS

- Fully drainable inner and outer coil
- Constant velocity in the fluid
- No joints gaskets or welded parts

FEATURES

- Mounting in plate
- Can be manufactured in special alloys
- Without cavities or dead spots
- Variable connection technology

TECHNICAL DATA

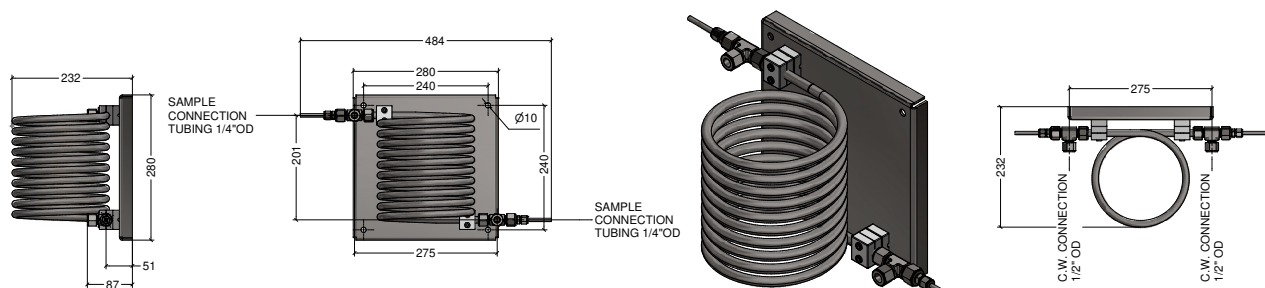
MODEL	TIT-4-SS316-SS316	TIT-6-SS316-SS316	TIT-8-SS316-SS316
Inner tube	1/4" OD SS316/316L	3/8" OD SS316/316L	1/2" OD SS316/316L
Sample design conditions	300 barg @ 540 °C (1004 °F)	300 barg @ 540 °C (1004 °F)	150 barg @ 540 °C (1004 °F)
Outer tube	1/2" OD SS316/316L	3/4" OD SS316/316L	1" OD SS316/316L
Cooling water design conditions	150 barg @ 540 °C (1004 °F)	150 barg @ 540 °C (1004 °F)	125 barg @ 540 °C (1004 °F)
Sample connections	1/4" OD (tube)	3/8" OD (tube)	1/2" OD (tube)
Cooling water connections	1/2" OD (comp. fitting)	3/4" OD (comp. fitting)	1" OD (comp. fitting)
Heat transfer area	0.12 m ² (1.29 sq ft)	0.18 m ² (1.94 sq ft)	0.23 m ² (2.48 sq ft)
Weight	5.5 kg (12.13 lbs)	7.5 kg (16.53 lbs)	13.5 kg (29.76 lbs)

MODEL**TIT-4**

Exchange area	0.12 m ² (1.29 sq ft)
Cooling water	5 lpm @ 30 °C (ΔP = 1 bar) (5 lpm @ 86 °F)

°C (°F) approach sample temperature

Flow Rate Water ccm (cubic in)	150 °C (302 °F)	200 °C (392 °F)	270 °C (518 °F)	Drop pressure (barg)
400 (24.41)	0.5 (32.9)	2.5 (36.5)	3.0 (37.4)	0.08
600 (36.41)	1.5 (34.7)	3.2 (37.8)	33.0 (91.4)	0.28
800 (48.82)	3.0 (37.4)	8.1 (46.6)	-	0.5
1000 (61.02)	3.0 (37.4)	30.1 (86.2)	-	0.76
1200 (73.23)	11.0 (51.8)	-	-	1.1
1400 (85.43)	17.0 (62.6)	-	-	1.52



TECHNICAL DATA

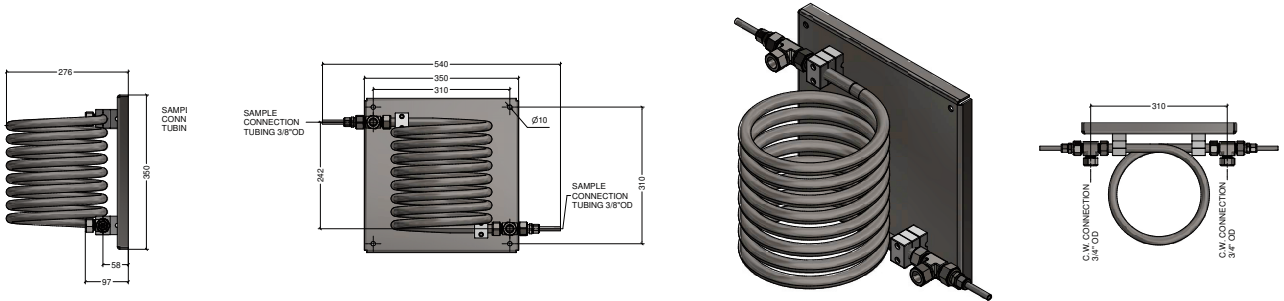
MODEL

TIT-6

Exchange area	0.18 m ² (1.94 sq ft)
Cooling water	17 lpm @ 30 °C (ΔP = 1 bar) (17 lpm @ 86 °F)

°C (°F) approach sample temperature

Flow Rate Water ccm (cubic in)	150 °C (302 °F)	200 °C (392 °F)	270 °C (518 °F)	Drop pressure (barg)
1600 (97.64)	2.8 (37.0)	3.0 (37.4)	7.7 (45.9)	0.08
1800 (109.84)	3.0 (37.4)	4.8 (40.6)	13.8 (56.8)	0.12
2000 (122.05)	4.0 (39.2)	6.9 (44.4)	28.0 (82.4)	0.15
2200 (134.25)	6.1 (42.9)	8.5 (47.3)	45.0 (113)	0.19
2400 (146.46)	7.2 (45.0)	12.2 (54.0)	-	0.22
2600 (158.66)	8.0 (46.4)	15.0 (59.0)	-	0.26



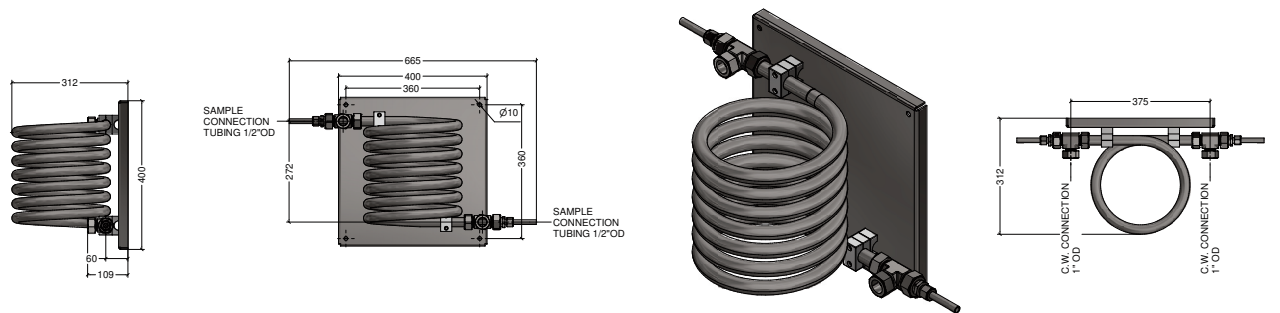
MODEL

TIT-8

Exchange area	0.23 m ² (2.48 sq ft)
Cooling water	36 lpm @ 30 °C (ΔP = 1 bar) (36 lpm @ 86 °F)

°C (°F) approach sample temperature

Flow Rate Water ccm (cubic in)	150 °C (302 °F)	200 °C (392 °F)	270 °C (518 °F)	Drop pressure (barg)
2600 (158.66)	0.8 (33.4)	1.9 (35.4)	6.1 (43.0)	0.07
3000 (183.07)	5.0 (41.0)	8.2 (46.8)	18.0 (64.4)	0.08
4000 (244.10)	10.0 (50.0)	18.0 (64.4)	39.2 (102.6)	0.15
5000 (305.12)	15.3 (59.5)	21.1 (70.0)	-	0.23
6000 (366.14)	21.5 (70.0)	35.0 (95.0)	-	0.30
6400 (390.55)	25.1 (77.2)	40.5 (104.9)	-	0.38



ORDER CODE

Available Features

Type of cooler	inner tube 1/4" OD / outer tube 1/2" OD	4		
	inner tube 3/8" OD / outer tube 3/4" OD	6		
	inner tube 1/2" OD / outer tube 1" OD	8		
Material inner tube	SS316/316L			SS316
	6Mo			6Mo
	Superduplex			SD
	Alloy 625			A625
	Alloy 825			A825
	Monel 400			M400
	Hastelloy C-276			HC276
Material outer tube	SS316/316L			SS316
	6Mo			6Mo
	Superduplex			SD
	Alloy 625			A625

Order code

TIT- [] [] []



Viet Nam Market Leader in

**ENVIRONMENTAL MONITORING
& INDUSTRIAL MEASUREMENT SOLUTIONS**



Headquarters

4E Street 6, An Phu Ward, Thu Duc City,
Ho Chi Minh City
Hotline: (+84) 901 379 116



Ha Tinh Office

Lien Phu Hamlet, Ky Lien Ward,
Ky Anh Town, Ha Tinh Province
Hotline: (+84) 938 442 414

Northern Viet An

Lot 33, BT4-1 residential area, Trung Van ward,
Nam Tu Liem district, Hanoi
Hotline: (+84) 901 851 116



Eurowater Technology

9A Street 6, An Phu Ward,
Thu Duc City, Ho Chi Minh City
Hotline: (+84) 909 788 959

Viet An Central

5A Mai Xuan Thuong Street, Hoa Khe Ward,
Thanh Khe District, Da Nang City
Hotline: (+84) 898 119 116



iLotusLand Viet Nam

9A Street 6, An Phu Ward,
Thu Duc City, Ho Chi Minh City
Hotline: (+84) 90 940 3778

